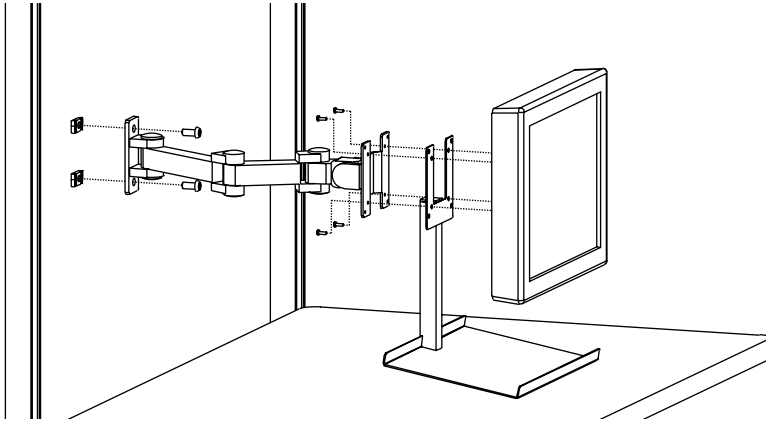


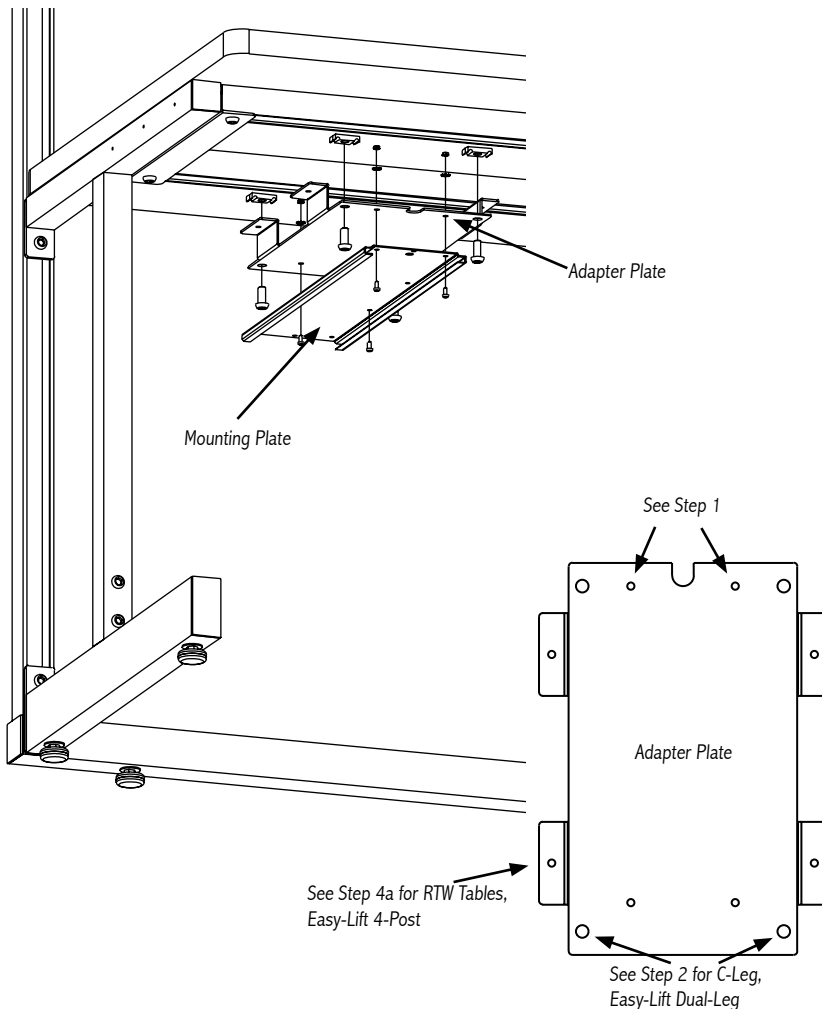
FLAT SCREEN MONITOR ARM WITH ADD-ON KEYBOARD TRAY

Item Numbers 8632 + 8633



ADJUSTABLE KEYBOARD SUPPORT

Item Numbers 8680



ACCESSORIES

PARTS AND HARDWARE	QUANTITY
Keyboard Tray	1
Phillips head screws	4
Other Items Needed (not included)	
Phillips Head Screwdriver	

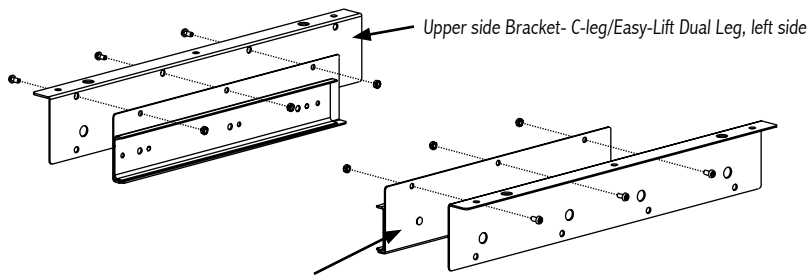
1. Keyboard tray is positioned between monitor and mounting plate. Use provided screws to secure all 3 items in order shown.
2. To adjust tension and swivel of Flat Screen Monitor Arm, remove plastic end caps and use included T-handle wrench to adjust.

PARTS AND HARDWARE	QUANTITY
Adapter Plate	1
Mounting Plate	1
8/32 Button head bolt	6
Nuts	6
Washers	6
Wood screws	4
Basic Bolts	4
Basic Nuts	4
Allen Wrench	1
Small Allen Wrench	1

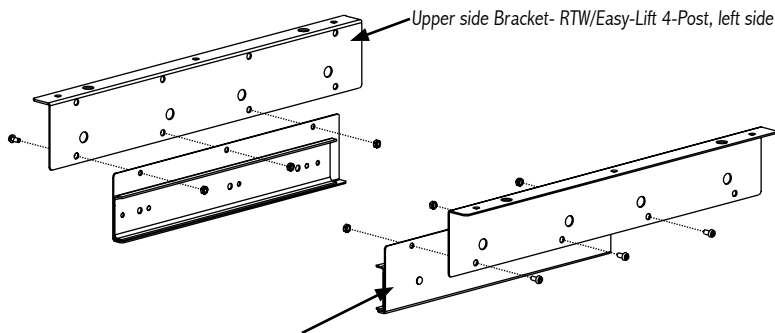
1. Before assembling the keyboard support with the enclosed instructions, attach mounting plate to adapter using button head bolts and nuts provided. See diagram at left.
2. Insert a Basic Bolt into the corner holes of the adapter and secure with a Basic Nut. See diagram at left. For RTW Tables, proceed to step 4a.
3. Insert nuts attached to adapter into Worksurface Support Rails on your workstation, as shown. Turn Basic Bolt 90 degrees clockwise to grip. Tighten the bolts.
4. Proceed with enclosed instructions for your keyboard.
 - a. For RTW Tables, insert wood screws through holes on tabs to attach Keyboard Support to underside of worksurface.
5. Secure the wrist support by inserting plastic screws from the bottom and tighten.

KEYBOARD DRAWER

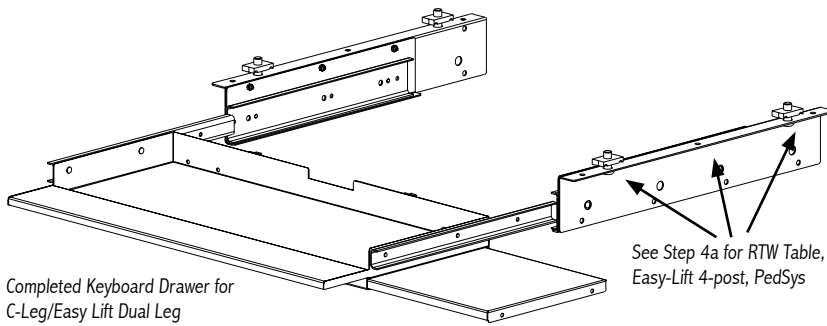
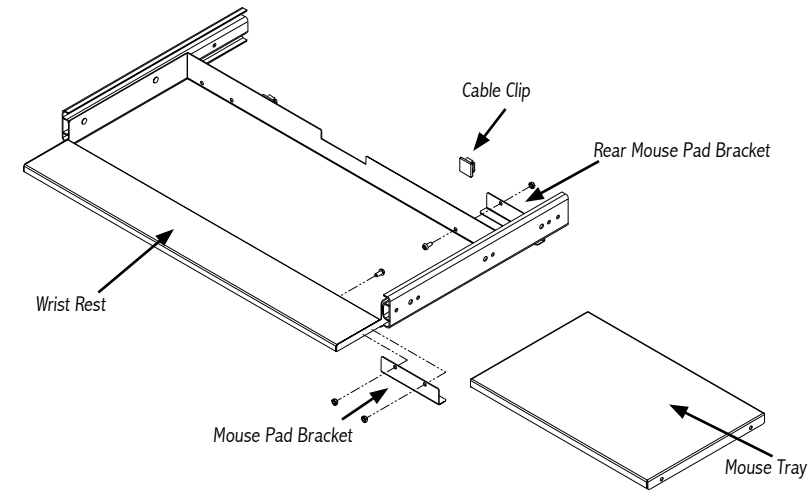
item Number 8681



Lower Side Bracket C-Leg/EasyLift Dual Leg, right side



Lower Side Bracket RTW/Easy-Lift 4-Post, PedSys, left side



Completed Keyboard Drawer for C-Leg/Easy Lift Dual Leg

PARTS AND HARDWARE	QUANTITY
Upper Side Bracket	2
Lower Side Bracket	2
Basic Bolts	4
Basic Nuts	4
Keyboard Drawer	1
Cable Clip	2
Mouse Pad Bracket	2
Mouse Tray	1
Nuts & 3/8" Bolts for Upper and Lower Side Brackets, Mouse Pad Bracket	10
Wood Screws	6
Small Allen Wrench	1
Other Items Needed (not included)	
Phillips head drill	

- Using three (3) 3/8" nuts and bolts, assemble Upper and Lower Side Brackets as shown for right and left brackets, according to your style of workstation (C-Leg, Easy-Lift, RTW or PedSys). Set aside until step 4.
- Choose right or left side for mouse tray. Using two (2) 3/8" bolts, hex nuts and washers, install the mouse pad bracket onto the keyboard tray under the back lip of the wrist rest. Slide the tray onto the bracket and repeat for the rear mouse pad bracket with tray in place. The mouse tray should slide freely. A lip on the tray acts as a stop.
- Attach adhesive backed cable clip to back of keyboard tray. These hold your mouse and keyboard wires in place.
- For C-Leg and Easy-Lift workstations insert a Basic Bolt through the two (2) large holes on top of each bracket from step 1. Secure with a Basic Nut. Turn one revolution.
 - For RTW, use wood screws to attach to underside of worksurface. Go to Step 6.
- Position the keyboard under the workstation. Insert the Basic Nuts attached to the bracket into the Worksurface Support Rail and tighten the bolts.
- Slide keyboard onto left and right side brackets as shown.