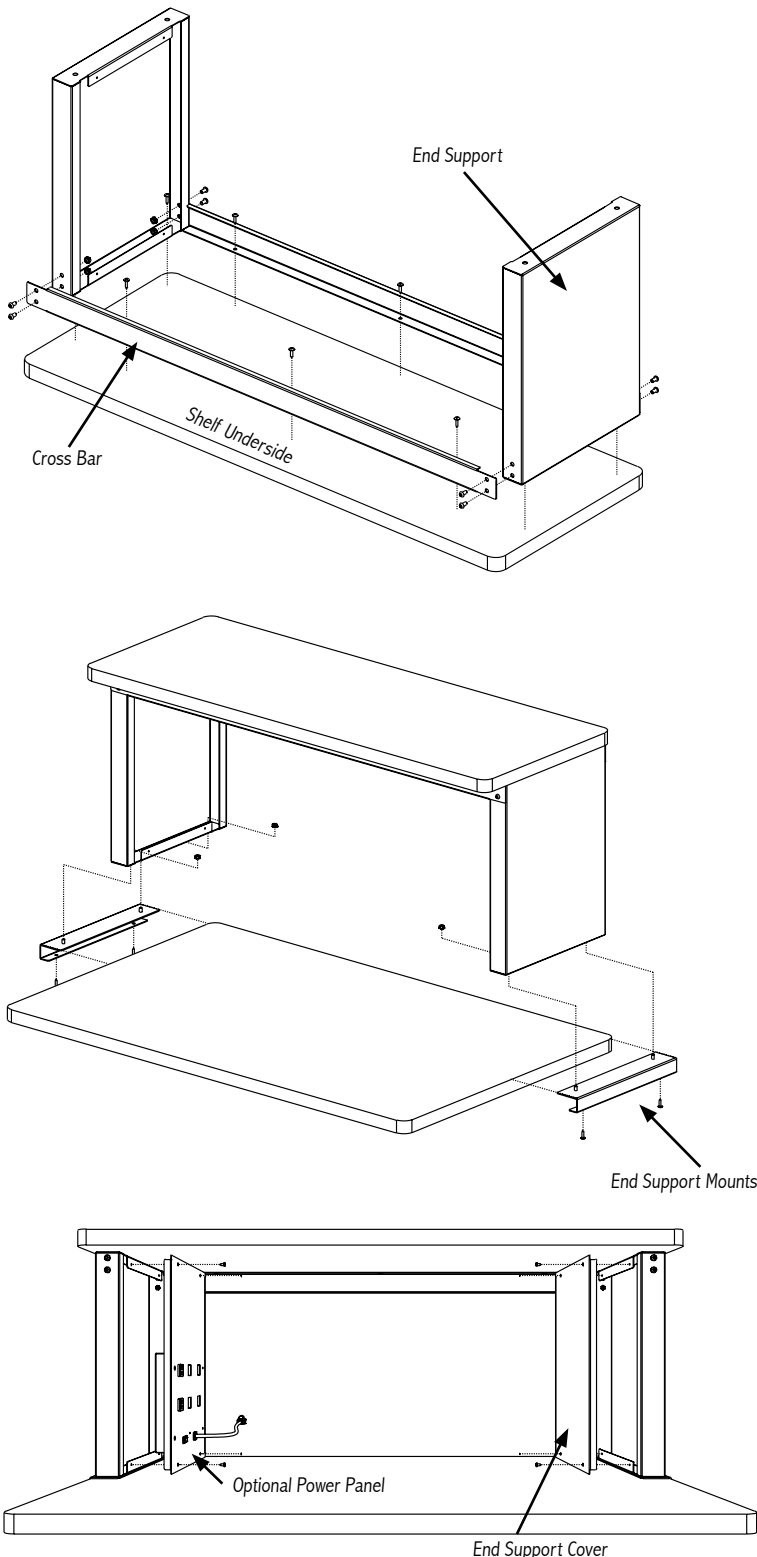


RTW RISER SHELF & POWER PANEL

Item Numbers 8467-8474, 8328



PARTS AND HARDWARE	QUANTITY
End Supports	2
Cross Bars	2
End Support Mount	2
End Support Cover	2
Laminate Shelf	1
Tek Screws	8
Wood Screws	14
Kep Nut	12
1/4-20 Screws- 1/2"	8
Allen Wrench	1
Other Items Needed (not included)	
Phillips head drill or screwdriver	
Tape Measure	

1. Attach Cross Bars to End Supports with nuts and bolts as shown.
2. Invert laminate shelf and position frame from step #1 on top with a 3/8" overhang on left and right sides and back. Front will have a 3 3/8" overhang.
3. Use wood screws to secure frame to shelf. Set aside until step 5.
4. Slide End Support Mounts over right and left edges of worksurface with studs facing up.
5. Flip shelf assembly from step #3. Position holes in bottom of End Supports over End Support Mounts. Secure nuts onto studs to hold Riser Shelf to end support mounts.
6. Slide Riser Shelf toward rear of bench. End Supports should be approximately 3/4" from rear edge of bench.
7. Secure Riser Shelf to underside of bench using wood screws through end support mounts.
8. Install End Support Covers onto inside of end supports with tek screws. If installing Power Panel (Item #8328), do so on inside left of Riser Shelf, in place of the left end support cover.