



Production **BASICS**

PRODUCT SPECIFIER

Ergonomic Workstations & Accessories



Production **BASICS**

WORKSTATIONS THAT INSPIRE PRODUCTIVITY.

We'll help you find the right ergonomic workstations for your company. You'll receive innovative solutions that fit your exact specifications for performance, productivity and aesthetics. You'll also get the easiest to assemble, longest lasting, American-made workstations on the market. Then, you can get back to business.



Quad Station



PedSys Work Bench, Left-Side Storage



C-Leg Stations with Add-on Corner

Since 1995, **PRODUCTION BASICS** has manufactured **ERGONOMIC WORKSTATIONS** and accessories that **INSPIRE PRODUCTIVITY**. We offer a variety of products that are designed to bring **EFFICIENCY, PRODUCTIVITY & PROFESSIONALISM** to your manufacturing, material handling or laboratory environment.



RTW Table with Riser Shelf



**PedSys Work Bench,
Left and Right Side Storage**



Electric Station, Dual Leg



Side-by-Side C-Leg Station



Supply Cart

Workstations are not just **TABLES**, they are **TOOLS FOR PRODUCTIVITY**. An **ORGANIZED**, ergonomic **WORKSPACE** for your operators means a happier, **MORE FOCUSED** employee. It means **GREATER JOB SATISFACTION** and fewer workers' compensation claims in a **GREAT LOOKING FACILITY** that operates at **PEAK EFFICIENCY**.



C-Leg Series Workstation



PedSys Work Bench, Left Side Storage



RTW Table with Casters



PedSys Work Bench, Right Side Storage

Production Basics workstations **START WITH SMART DESIGNS**. We combine **CLEAN LINES** and **SOLID COMPONENTS** to form sturdy, simple workstations that are **BUILT TO LAST**. Using the Basic Bolt, Basic Nut and an allen wrench, you can **BUILD YOUR WORKSTATION** in minutes. You are able to **ADJUST** your workstation **PRECISELY**, a major benefit over common slotted units.

It's time to **DELIVER** some **INSPIRATION** to you. We invite you inside our Product Specifier, where you will **FIND THE WORKSTATIONS** that are **RIGHT FOR YOU**.

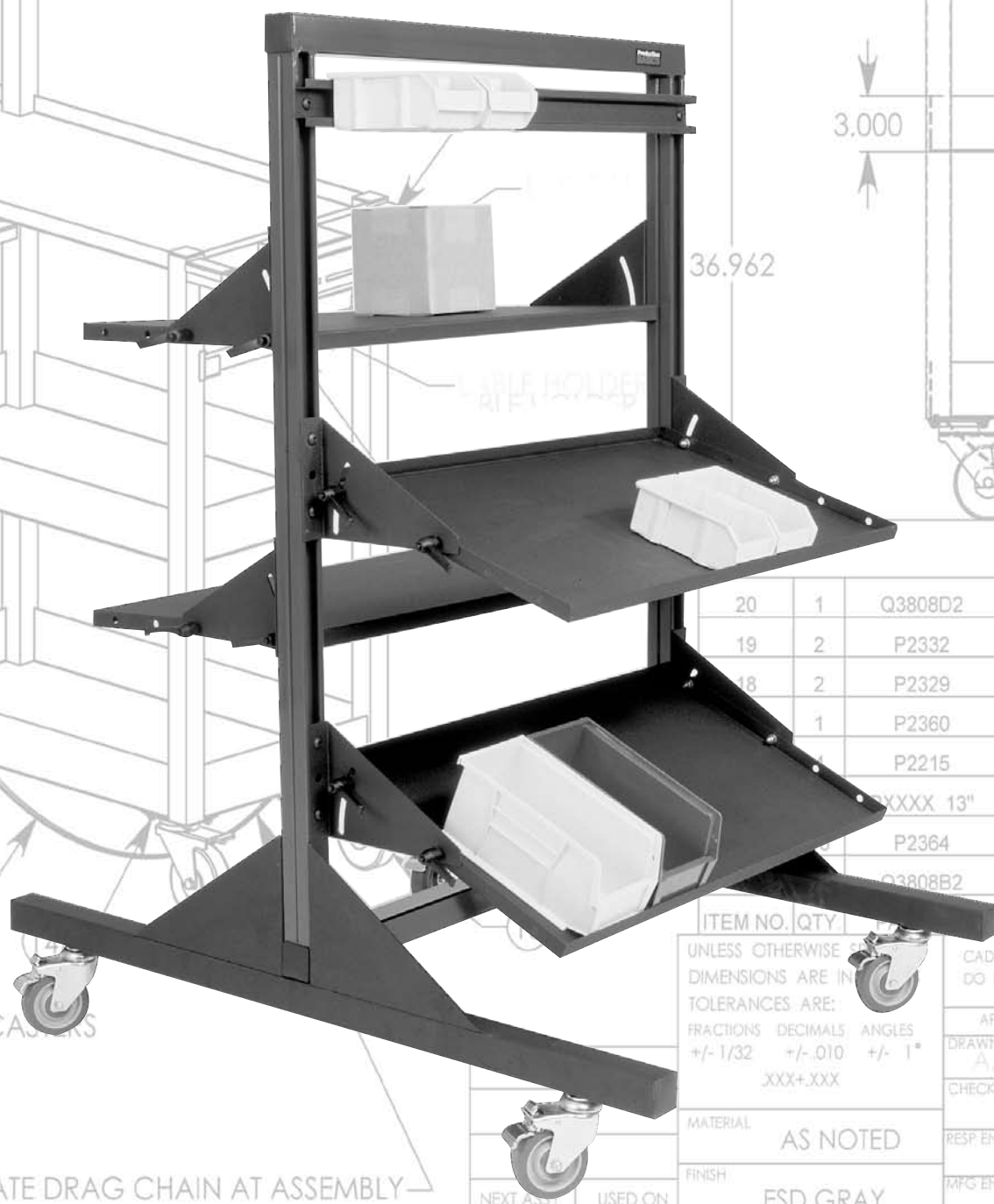


PedSys Work Bench, Right Side Storage

Custom Products

Production Basics has many standard workstation configurations and accessories that help you enhance productivity in your facility and laboratory. Sometimes, it's a special task, process, piece of equipment or client project that will push your facility to the next level of efficiency.

When your needs require more attention, our Custom Workstation department is ready to help. Our engineers can create high-quality workstations with special materials, sizes, finishes and configurations to fit your requirements. Call a Workstation Specialist to discuss your needs so we can start engineering a workstation solution that works for you.



General Information - Custom Products

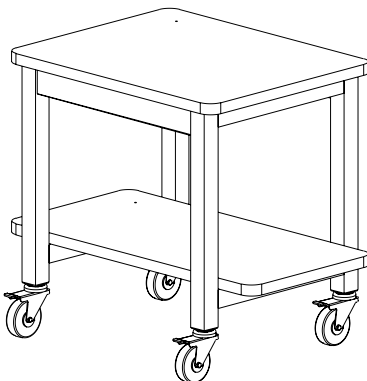
- Custom Options are non-standard workstation and related products designed and manufactured to customer specifications.
- Engineering drawings of custom items may be available upon request.
- Specifications for custom items must be approved by the customer before manufacture.
- All sales on custom items are final. Return Merchandise Authorizations are not issued for custom items.
- Production Basics provides workstations and accessory bundles in our Solution Series, available exclusively on-line at <http://solution.pbasics.com>.

Take a look at some of the successful custom workstation projects we've completed on pages 78-83. If you have a similar application, give us a call and we can start engineering a solution for you. To start from scratch, consider some of your project elements below, then contact us for a consultation.

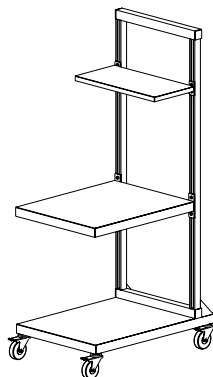
- What is your application?
- What are some of your requirements: weight capacity, size, materials, function?
- What is the facility/department layout?
- What input have you received from other departments, operators or managers?
- What is the quantity?
- What is your project time frame?
- Is there a similar Production Basics standard or custom item?
- If needs include material conveyance, what is the size and weight of the material?
- Does the unit need to be mobile?
- Do you require height adjustability? What range?
- What type of accessories will you need?

Carts

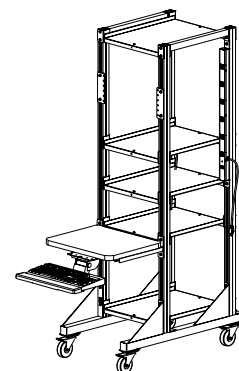
When your goal is to save time and energy in your facility, but you need more than an off-the-shelf product, look inside at the full spectrum of carts we've designed and manufactured for many industries.



Custom Transport Cart

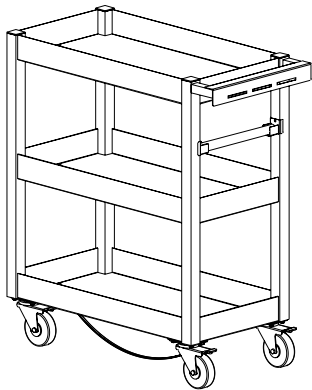


Custom Shelving Cart

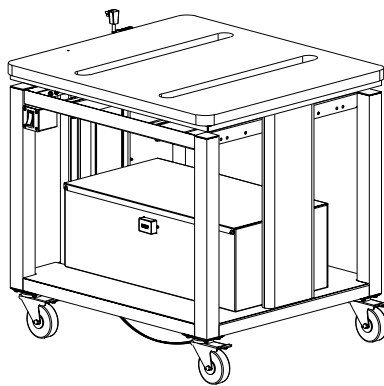


Custom Power & Shelving Cart

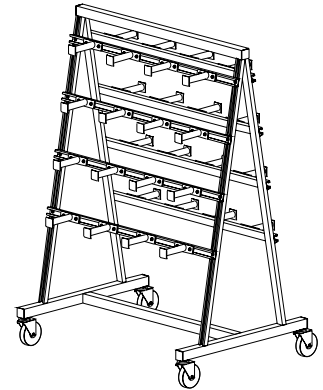
Carts



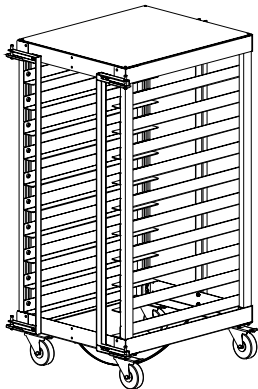
Custom Cart with Label Distribution



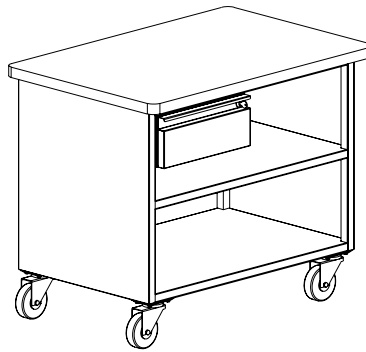
Custom Powered Cart



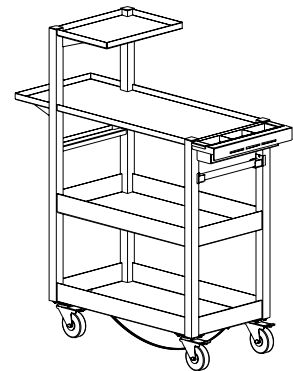
Custom Hanger Post Cart



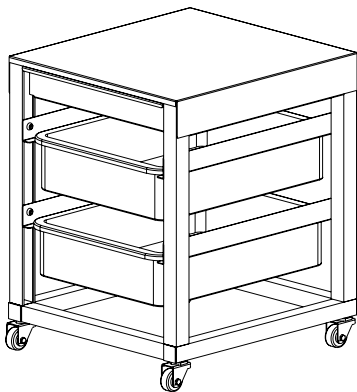
Custom Printed Circuit Board Cart



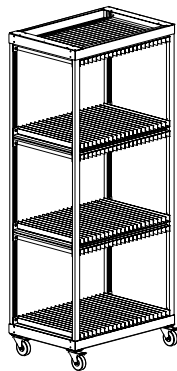
Custom Storage Cart



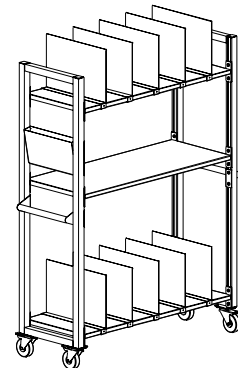
Custom Distribution Center Cart



Custom Tote Cart



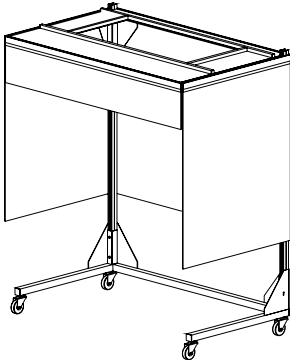
Custom PCB Stencil Cart



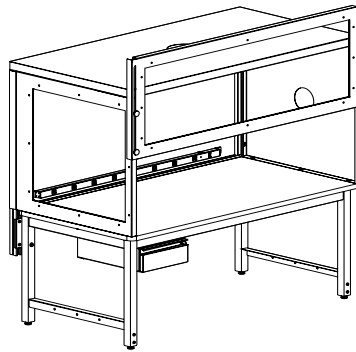
Custom Packing Supply Cart

Fume Management

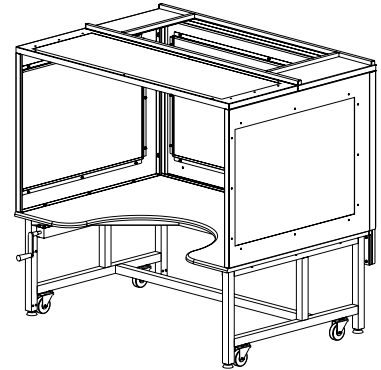
When health and safety are at the top of the list, our fume hoods and booths offer industrial-sized help. Take a look at a few examples that we have designed for our customers.



Custom Portable Fume Hood



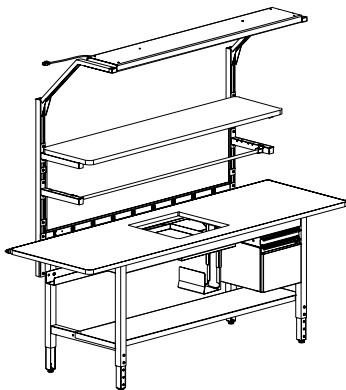
Custom Fume & Particle Containment



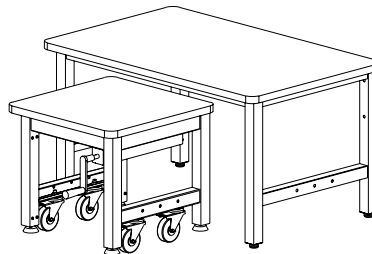
Custom Ergonomic Fume Workstation

Work Tables

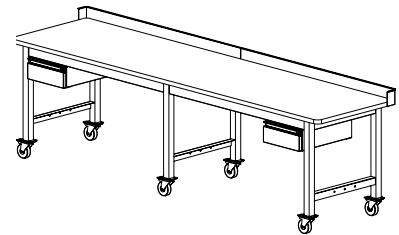
Have a specific job to do, a requirement that has been tough to fill, or a department that has customized needs? Here are handfuls of workstation ideas that increase productivity. This workstation collection features custom height adjustability, framing, shapes and sizes.



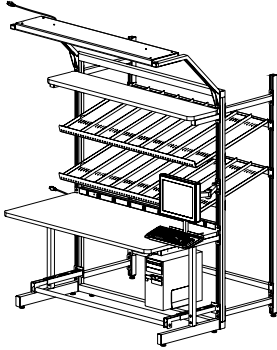
Custom Work Table with Worksurface Cut-out



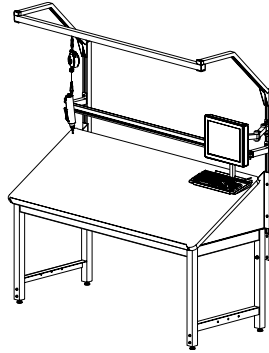
Custom Work Table with Adjustable Scale Table



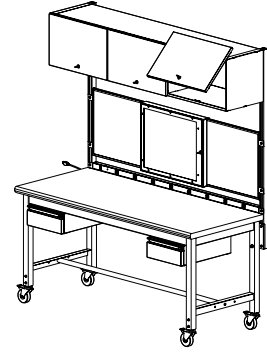
Custom Dual Operator Workstation



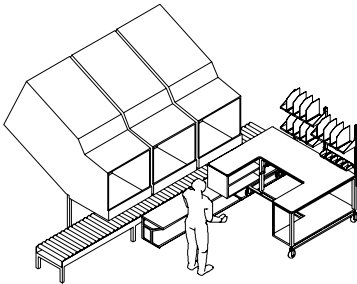
Custom Picking Workstation



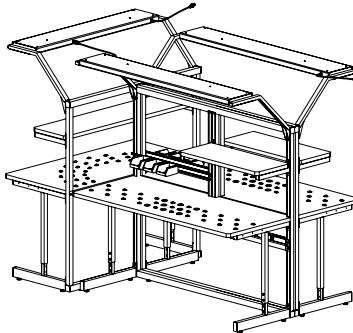
Custom Drafting Table



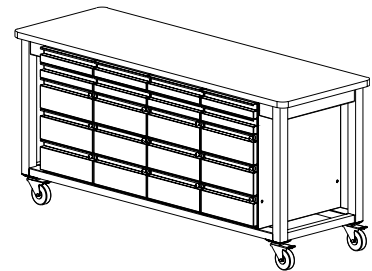
Custom Storage Work Bench



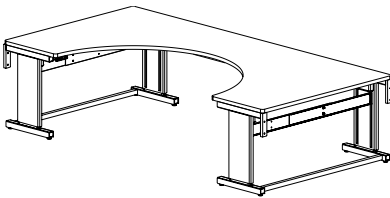
Custom Fulfillment Work Center



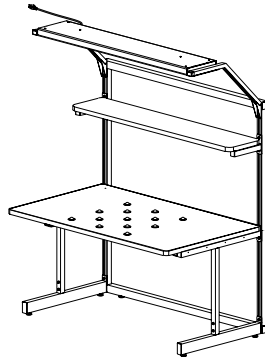
Custom Box Build Workstation



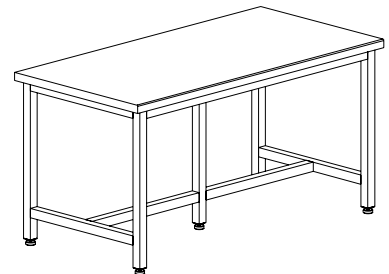
Custom Counter with Drawers



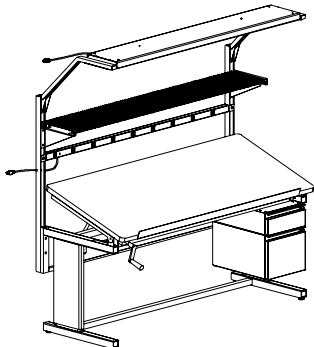
Custom Adjustable U-Shaped Work Center



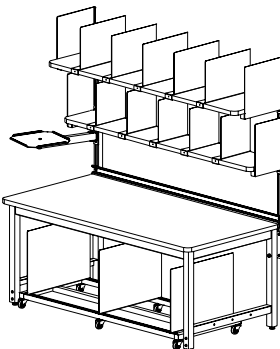
Custom Ball Transfer Work Table



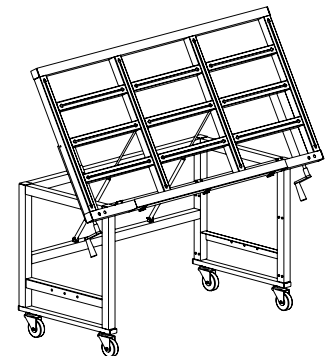
Custom Heavy-Duty Work Table



Custom Tilt Table



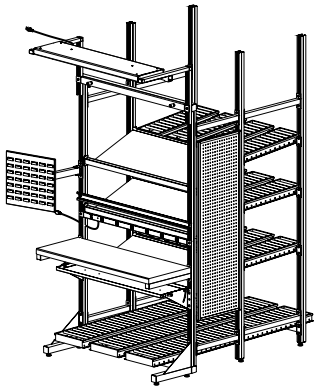
Custom Packaging Bench



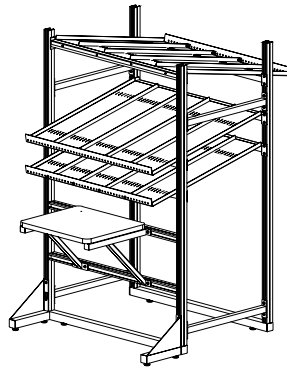
Custom Harness Board Table

Material Handling & Shelving

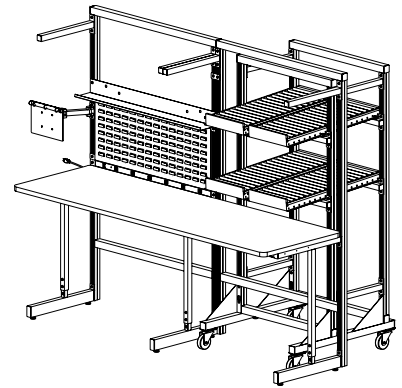
When lean manufacturing and efficient material flow is needed within your facility, browse our Flow Racks and material handling solutions. We work with you to make sure products are engineered to fit all aspects of your work precisely, including people, product, process and facility.



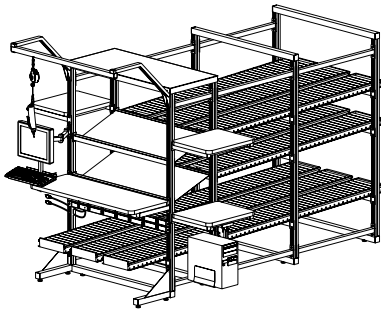
Custom Flow Rack with Pick Level



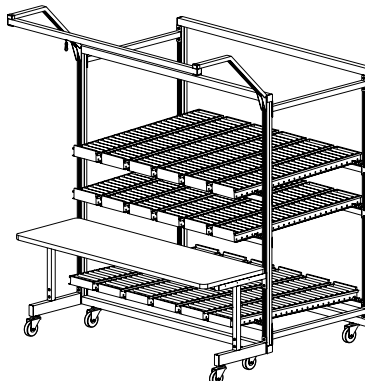
Custom Flow Rack with Bin Dividers



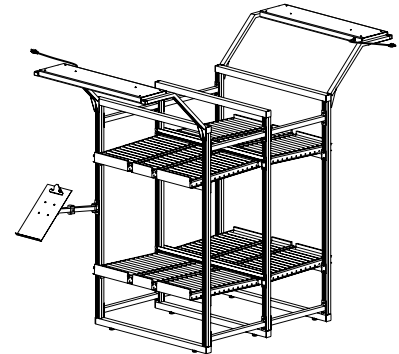
Custom Workbench with Nesting Flow Rack



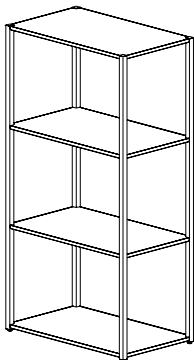
Custom Long Run Flow Rack



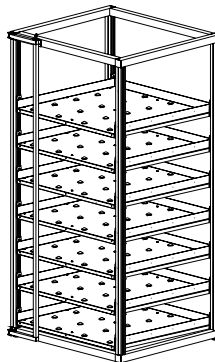
Custom Flow Workstation



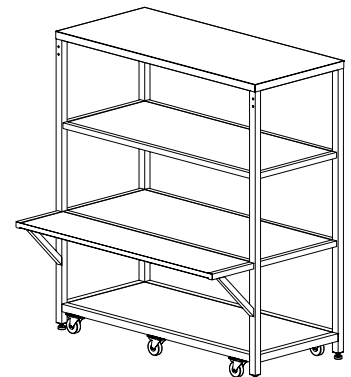
Custom Dual Side Flow Rack



Custom Welded Shelving Unit



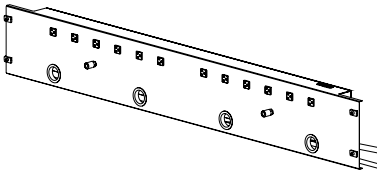
Custom Storage with Ball Transfer Shelves



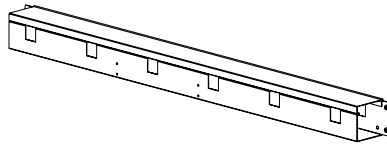
Custom Moveable Shelving

Accessories

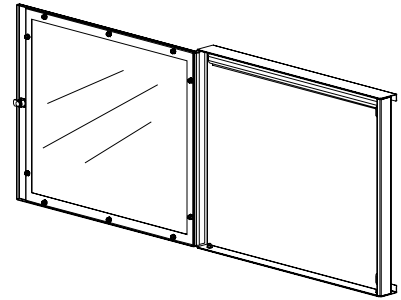
Specialized accessories are the perfect solution to make sure everything you need is where you want it. Check out our custom shelves, footrests, utility delivery and storage items to spark ideas about accessories that can make your job easier and more organized.



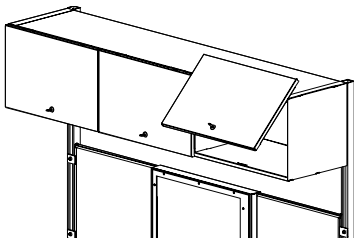
Custom Utility Distribution



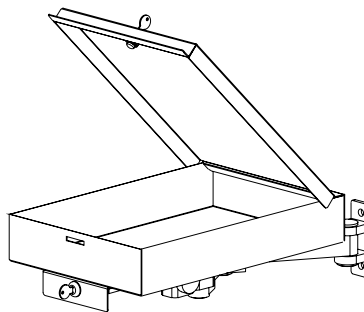
Custom Cable Management



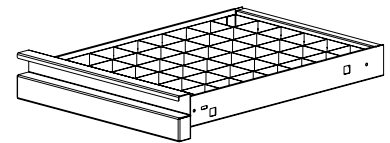
Custom Secure Shadow Box



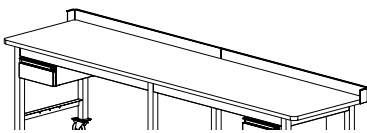
Custom 3-Bay Overhead Cabinet



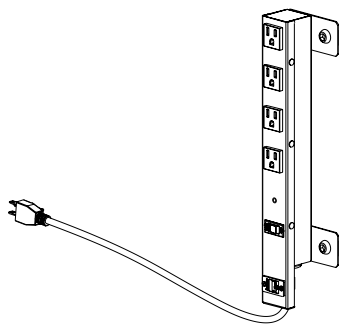
Custom Bench Lock Box



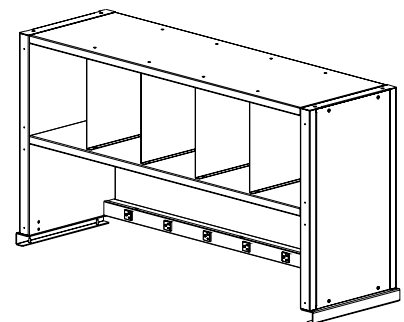
Custom Drawer Divider



Custom Workstation Backsplash



Custom Side-Mount Power & RJ-45 Bar



Custom Riser Shelf with Dividers

The Fine Print

Payment Terms

NET 30.

Prices

Prevailing at the time of shipment unless otherwise noted.

Colors

Unless otherwise noted, stock frame color is Blue. Other colors available are Grey, White, Almond and Black. Stock color for standard laminate worksurfaces is White. Stock color for ESD laminate is Grey. Other laminate colors available upon request at no additional charge are Grey and Beige standard laminate; Beige and White ESD laminate. Custom laminate colors are available at an additional charge. Optional color schemes are available and must be specified at the time of order.

Minimum Order

\$100

Special Orders/Custom Options

All items listed in this price list are standard. Any variation to these standard items, including frame or laminate color, must be special ordered. Please consult with us about your requirements. Returns of special order/custom products are not accepted.

Orders and Cancellations

All orders must be placed through a Production Basics authorized distributor. Verbal purchase orders are not accepted. Products ship knocked-down (KD) by truck. FOB Billerica, MA. Changes and cancellations may not be accepted after an order is placed with Production Basics. For assistance with your workstation choices prior to placing an order, call Production Basics or your authorized distributor.

Product Improvements

Production Basics reserves the right to change the details of design, material and finish in any way that will not reduce function or performance.

Discontinued Products

Product specifications featured in this Product Specifier are available at the time of printing. Production Basics reserves the right to discontinue products at any time for any reason.

Returns

NO MERCHANDISE WILL BE ACCEPTED FOR RETURN WITHOUT PRODUCTION BASICS' PRIOR APPROVAL. Return Merchandise Authorizations (RMA) must be requested by the customer within ten (10) days of receipt of merchandise. Returned goods must be sent freight prepaid within 30 days of the issuance of an RMA. Returns will be subject to a 25% restocking charge. RMAs are NOT issued for custom products.

Shortages and Damages

Upon receipt of product, check against bill of lading for correct number of pieces and inspect for obvious damage before signing delivery receipt. Shortages, errors and damage must be reported to Production Basics within 24 hours of receipt of merchandise. Any damage claims must be filed with carriers immediately upon receipt. Do not destroy packaging materials; they must be available for inspection by the carrier. Production Basics will cooperate with the purchaser on filed claims.

Warranty

This warranty covers any defect in material or workmanship in mechanical or structural parts given normal use and care. With the exceptions noted, this warranty lasts ten (10) years from the original date of purchase for all parts and components manufactured by Production Basics. Production Basics, Inc. will replace or repair the item without any cost for parts within the time frame noted from the original date of purchase: LED Bulbs- Warranty not covered by Production Basics. Contact bulb manufacturer within five (5) days of defect identification.

Easy Lift Series- One (1) year.

All other Products- Ten (10) years.

What is Not Covered

This warranty does not cover damage by misuse, accident, unauthorized repair or modification. Also, consequential and incidental damages (including but not limited to: lost profits, lost sales and injury to property) are not recoverable under this warranty. Some states do not allow the exclusion or limitation of incidental or consequential damages, so the above limitation or exclusion may not apply to you. This warranty is the exclusive express warranty and any representations or promises inconsistent with, or in addition to, this warranty are unauthorized and shall not be binding on Production Basics, Inc. Finally, THE IMPLIED WARRANTIES OF MERCHANTABILITY AND FITNESS FOR A PARTICULAR PURPOSE ARE LIMITED IN DURATION FOR A PERIOD OF TEN YEARS FROM THE DATE OF PURCHASE BY THE ORIGINAL CONSUMER. Some states do not allow limitations on how long an implied warranty lasts so the above limitation or exclusion may not apply to you.

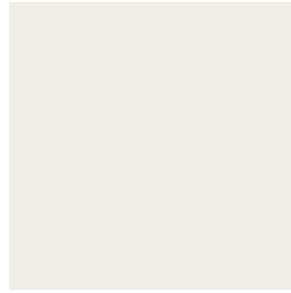
Service

To obtain repair or replacement under this warranty, you must contact Production Basics, Inc., informing us of the defect.

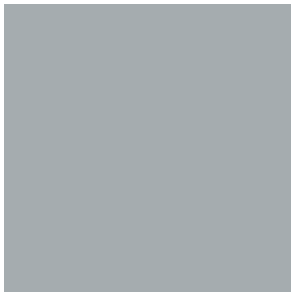
FRAME COLORS:



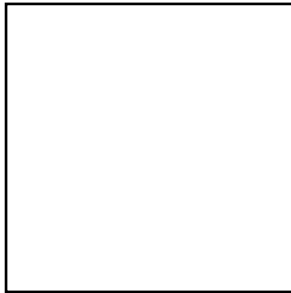
Blue*



Almond



Grey

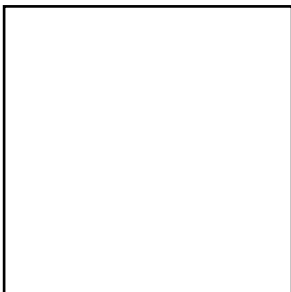


White

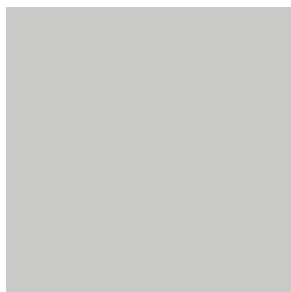


Black

LAMINATE COLORS:



White*

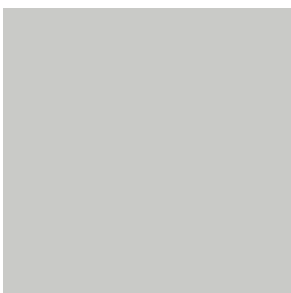


Grey



Beige

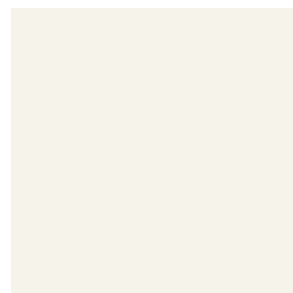
ESD LAMINATE COLORS:



Grey*



Beige



White

* Stock colors. Colors shown here may vary slightly from actual product. For specific color matches, samples are available. Call Production Basics at 800.318.2770.